



GENERAL FEATURES

- Rack size **50x50 cm**
- Gross weight: 62 Kg
- Washing cycles / racks/hour : 90"-120"-180"-∞/
40-30-20
- Top and bottom wash/rinse arms
- Wash pump 550 W
- Boiler capacity 5,5 liters
- Tank capacity 20 liters
- Boiler heating element 6,0 kW (4,0kW in Single Phase)
- Tank heating element da 2,4 kW
- Water quantity per cycle: 2 litri
- Electronic control with color code switch
- Extractable control panel
- Useful washing height:350 mm
- Magnetic door micro switch
- Automatic water filling
- Electric peristaltic rinse-aid dispenser
- Electric peristaltic detergent dispenser
- Hot rinse
- Thermostop function
- Air break
- Atmospheric boiler
- Rinse booster pump
- Self-cleaning function
- Soft-Start operation of wash pump

FILTRATION

- Plastic wash pump filter, easily removable

BODY

- AISI 304 stainless steel Body
- Partial double skinned body
- Preformed rack guides
- Preformed wash tank
- Double skinned door
- Door handle in s/s
- Wash/rinse arms in s/s, easily removable
- Boiler in s/s AISI 316
- PVC protection rear the bottom front panel

EQUIPMENT

- 1 glass rack 50x50 cm
- 1 plates rack 50x50 cm (12/18 plates)
- 1 cutlery small basket
- 1 inlet hose (length 2 mt)
- 1 drain hose (length 2,5 mt)

OPTIONAL

- Drain pump
- Cold rinse
- S/s tank filters for pre-filtering of tank water
- Commutable voltage
- 60Hz version

ACCESSORIES FOR THE WATER TREATMENT

- Internal water softener ("S" version)

ACCESSORIES

- Special racks
- S/s supporting stand h. 545mm. for basket

INSTALLATION

- Use the screws of the feet and a spirit level to ensure that the machine is levelled

MAIN POWER SUPPLY

- The voltage of main power supply must be compatible with the rated voltage
- The machine must be connected to a suitable earth (ground) system
- Connect the machine power socket to the multi-pole wall switch provided

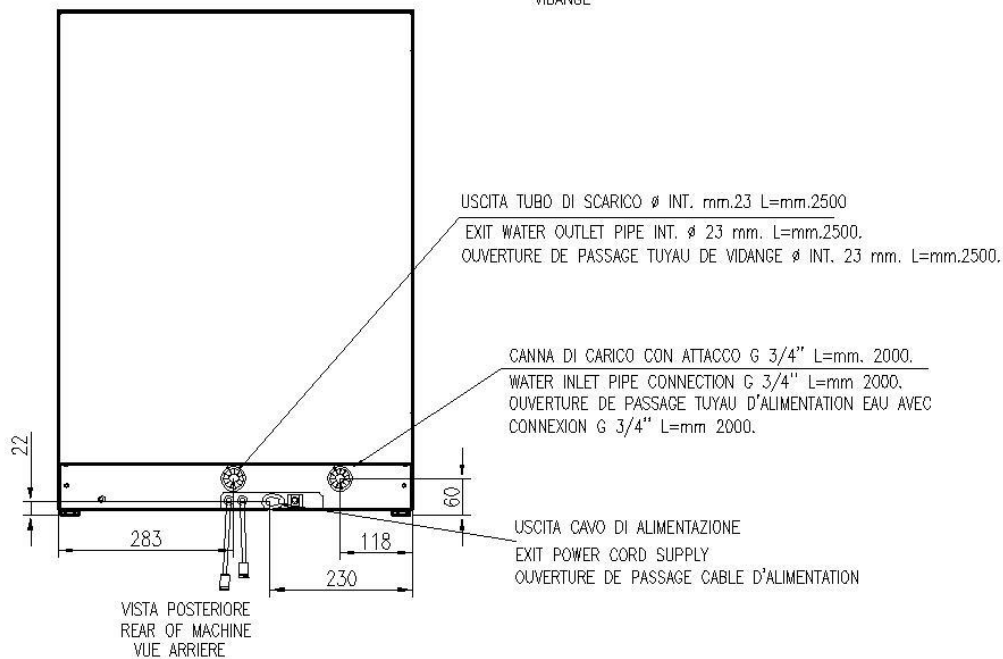
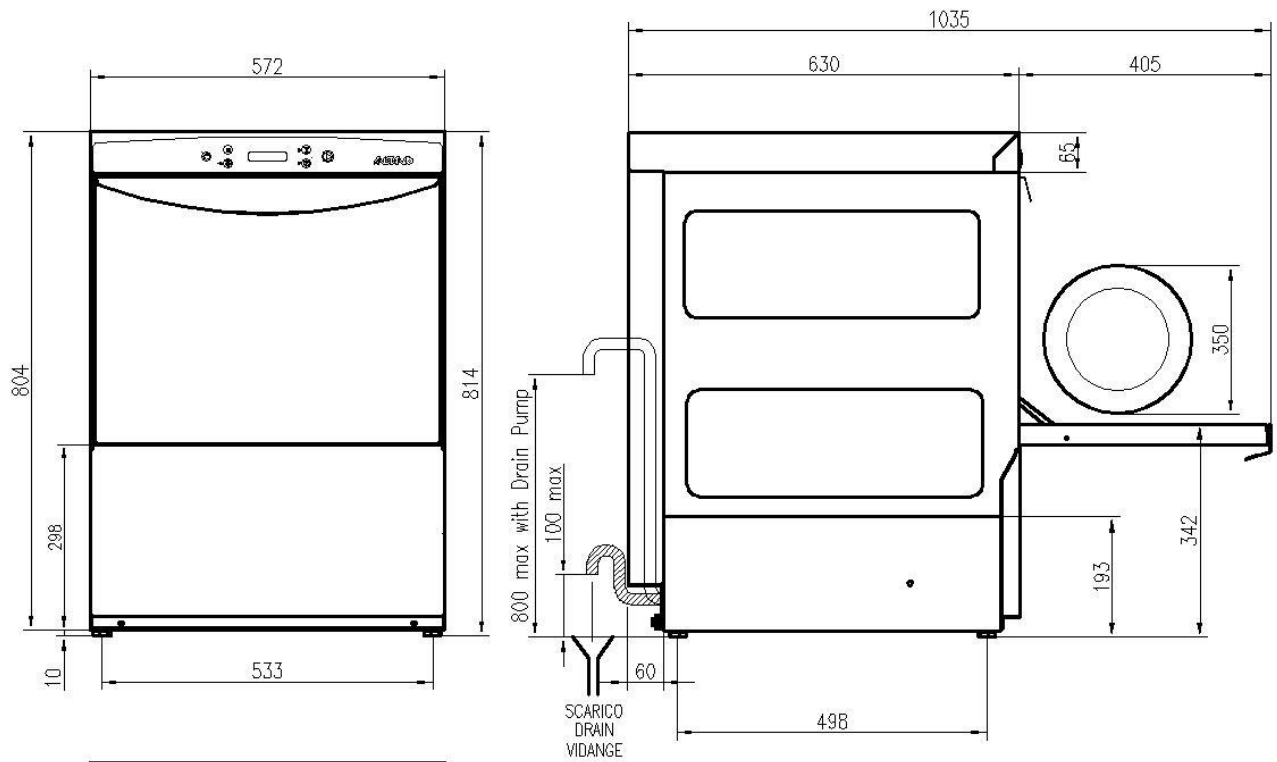
WATER SUPPLY CONNECTION




- A water softener must be installed if the water is hard
- The water pressure must be between 0.1MPa (1 bar), and, 0.5MPa (5 bar)
- The temperature of the water-supply must be between 10°C to 50°C

TECHNICAL SPECIFICATIONS

- Voltage:**380-415V3N/ 220-240V3/ 220-240V~ 50 Hz**
- Total power : **6,55 kW**
- Amperage: **10 A /17 A /29 A**
- Power cord supply size :**5x2,5/ 3x 4mmq**

AF 50.35E PRS



	Min 10°C-MAX 50°C Min 10°C-MAX 25°C with ENERGY RECOVERY
	200÷500kPa(2÷5 Bar) 100÷500kPa(1÷5 Bar) with ATMOSPHERIC BOILER
	HARDNESS 5÷20°f-2.8÷11°d